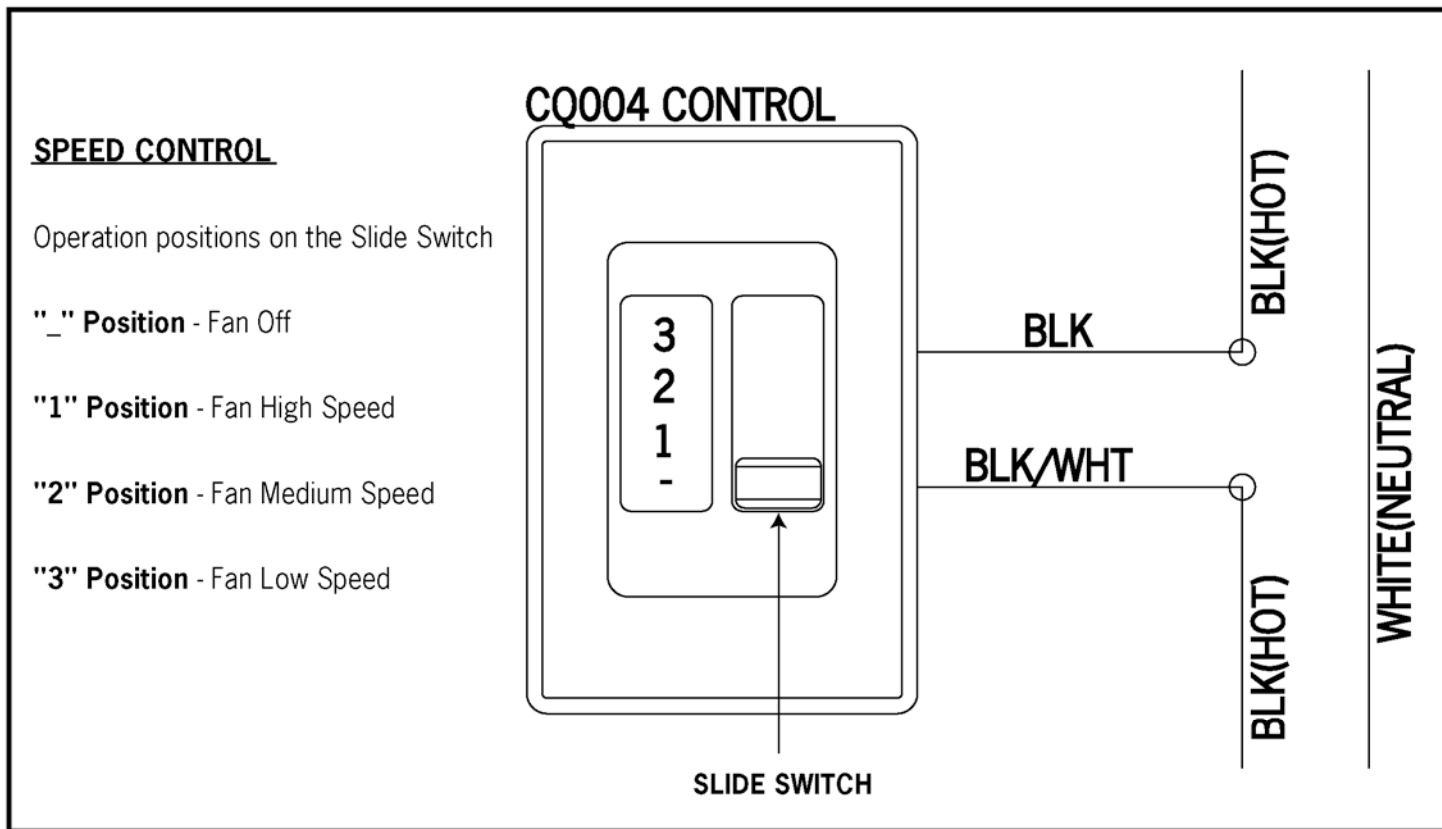




CQ004 3-Speed "Quiet" Fan Control



WARRANTY

CANARM Ltd. warrants every new Fan Control to be free of defects in material and workmanship, to the extent that, within a period of one year from the date of purchase CANARM Ltd. shall either repair or replace at CANARM's option, any unit or part thereof, returned freight prepaid, and found to be defective.

This warranty does not include any labor or transportation costs incidental to the removal and reinstallation of the unit at the user's premises.

Components repaired or replaced are warranted through the remainder of the original warranty period only.

This warranty applies to the original purchaser-user only; it is null and void in case of alteration, accident, abuse, neglect, and operation not in accordance with instructions.

NOTICE: No warranty claims will be honored by CANARM Ltd. unless prior authorization is obtained.

**Installation or Product problems? Do not return to store of purchase.
Contact Canarm Service at 1-800-265-1833 (CANADA) 1-800-267-4427 (U.S.A.)
1-800-567-2513 (EN FRANCAIS) Monday to Friday 8:00 - 5:00pm e.s.t.**



CANARM LTD.
2157 PARKEDALE AVENUE
BROCKVILLE, ONTARIO K6V 5V6
TELEPHONE: (613) 342-5424
FAX: 1-800-263-4598
E-MAIL: agsales@canarm.ca

CANARM LTEE.
8500 RUE GRENACHE
ANJOU, QUEBEC H1J 2B1
TELEPHONE: (514) 353-2255
FAX: (514) 353-2522
E-MAIL: agsales@canarm.ca